

股票代號 6756

威鋒電子股份有限公司

法人說明會

2024-10



VIA Labs, Inc.

免責聲明

本簡報包含一些前瞻性陳述，這些陳述可能會帶來重大風險和不確定性。閱讀者應仔細考慮這些前瞻性陳述，因為此類陳述僅是本公司對未來事件的預期或預測，實際結果可能與前瞻性陳述中包含的內容存在重大差異。

本簡報中的前瞻性陳述包括但不限於第三方來源估計的各種市場的增長率，未來產品和技術發展，未來收入增長和盈利能力。本簡報中所提供之資訊，係反應本公司截至目前為止對於未來的看法，並未明示或暗示性地表達或保證其具有正確性、完整性或可靠性。對於這些看法，未來若有變更或調整時，本公司並不負有更新或修正之責任。

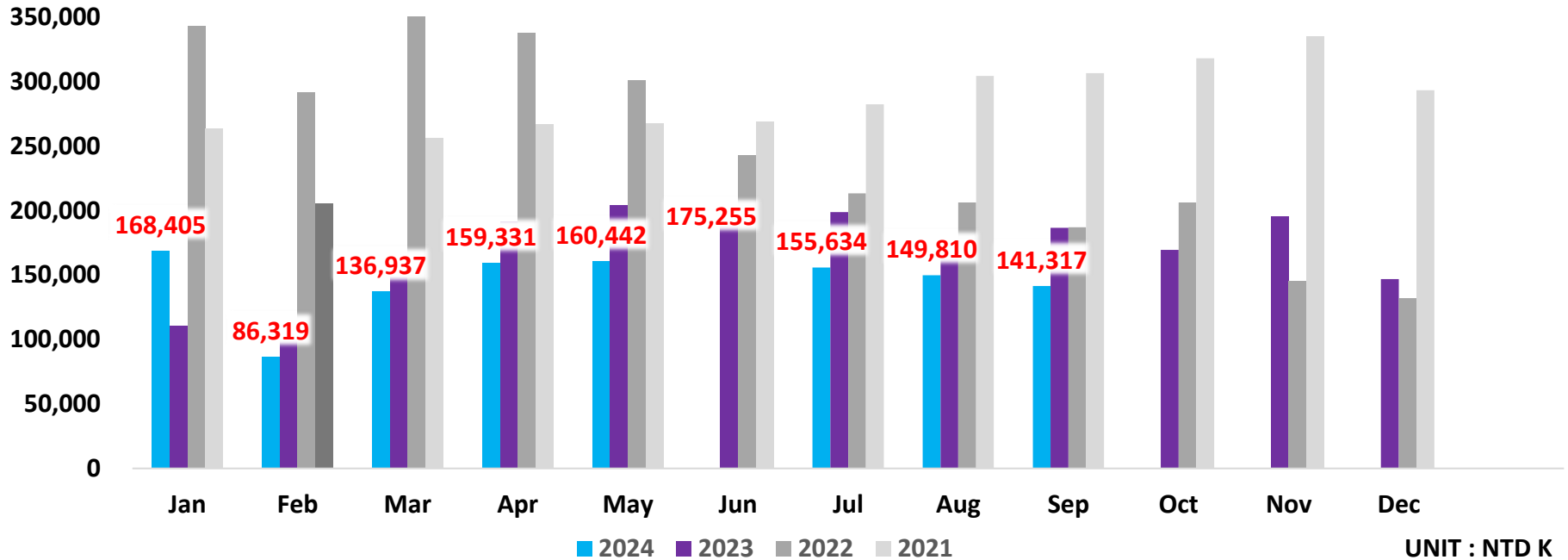
簡報大綱

- 營運實績
- 市場概況與新品簡介

營運實績

Y2021 – 2024/Q3 Revenue

UNIT:NTD K



UNIT : NTD K

Year	Jan	Feb	Mar	Apr	May	Jun	Jul	Aug	Sep	Oct	Nov	Dec	Total
2024	168,405	86,319	136,937	159,331	160,442	175,255	155,634	149,810	141,317				1,333,450
2023	110,765	114,752	148,514	191,346	203,819	196,626	198,753	172,422	186,446	169,502	195,476	146,682	2,035,103
2022	342,859	291,636	350,412	337,330	300,890	242,545	213,250	206,136	186,841	206,144	145,038	131,905	2,954,986
2021	263,761	205,112	256,278	266,771	267,206	268,843	282,310	304,339	306,475	317,881	334,967	293,104	3,367,047
年成長%	52%	(25%)	(8%)	(17%)	(21%)	(11%)	(22%)	(13%)	(24%)				(12%)
累積成長%	52%	13%	5%	(3%)	(8%)	(8%)	(11%)	(11%)	(12%)				

營運現況—2024年第三季合併損益表

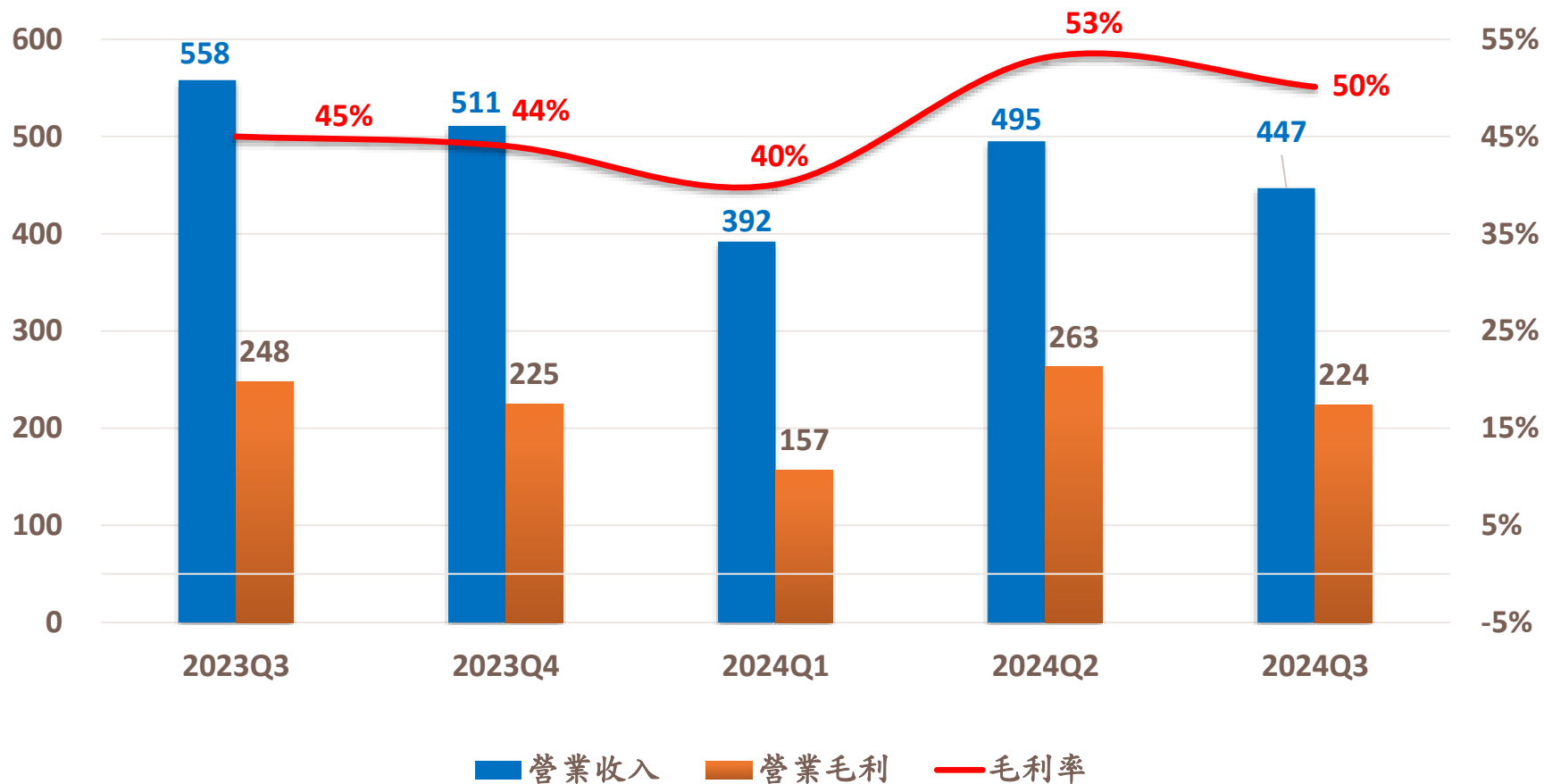
單位：新台幣仟元	2024年 第三季	%	2024年 第二季	%	季成長 %	2023年 第三季	%	年成長 %
銷貨淨額	\$ 446,761	100%	\$ 495,028	100%	(10%)	\$ 557,621	100%	(20%)
銷貨成本	<u>223,119</u>	50%	<u>231,961</u>	47%	(4%)	<u>309,261</u>	56%	(28%)
銷貨毛利	223,642	50%	263,067	53%	(15%)	248,360	44%	(10%)
營業費用	<u>199,042</u>	45%	<u>211,125</u>	42%	(6%)	<u>192,056</u>	34%	4%
營業淨利	24,600	5%	51,942	1%	(53%)	56,304	10%	(56%)
非營業項目	<u>8,757</u>	2%	<u>6,172</u>	1%	42%	<u>36,023</u>	7%	(76%)
稅前淨利	33,357	7%	58,114	12%	(43%)	92,327	17%	(64%)
所得稅費用	<u>(5,461)</u>	(1%)	<u>(5,805)</u>	(1%)	(6%)	<u>(14,963)</u>	(3%)	(64%)
本期淨利	<u>\$ 27,896</u>	6%	<u>\$ 52,309</u>	11%	(47%)	<u>\$ 77,364</u>	14%	(64%)
每股盈餘(元)	<u>\$ 0.42</u>		<u>\$ 0.75</u>		(44%)	<u>\$ 1.12</u>		(63%)

營運現況—2024年前三季合併損益表

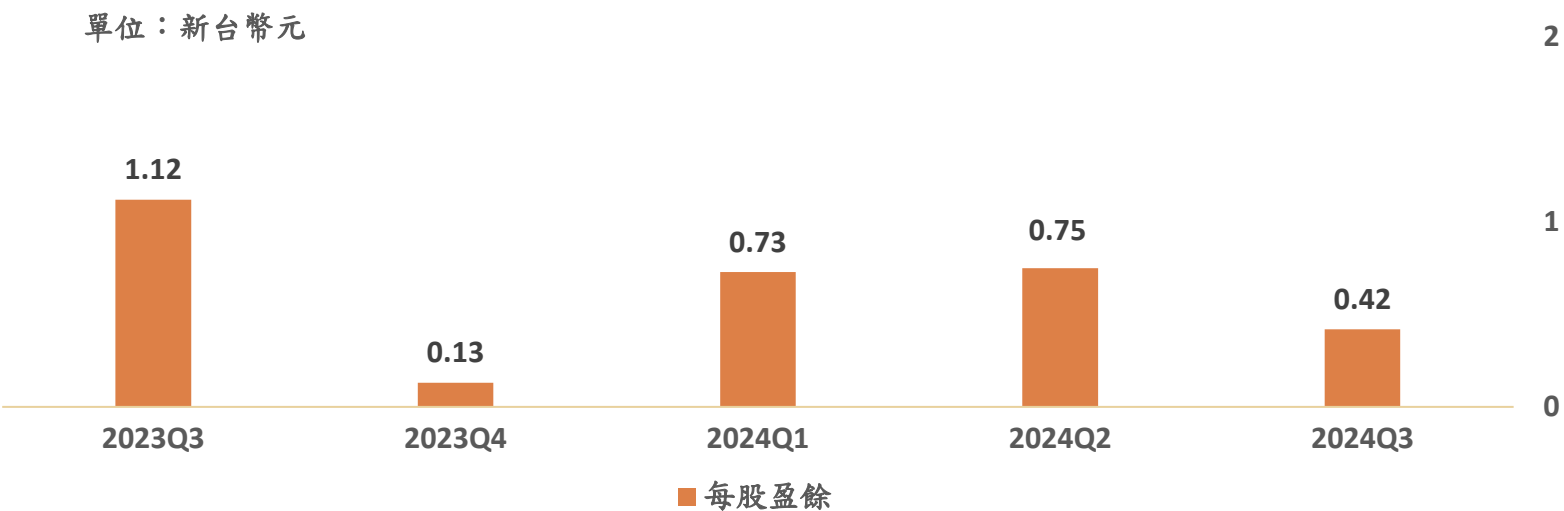
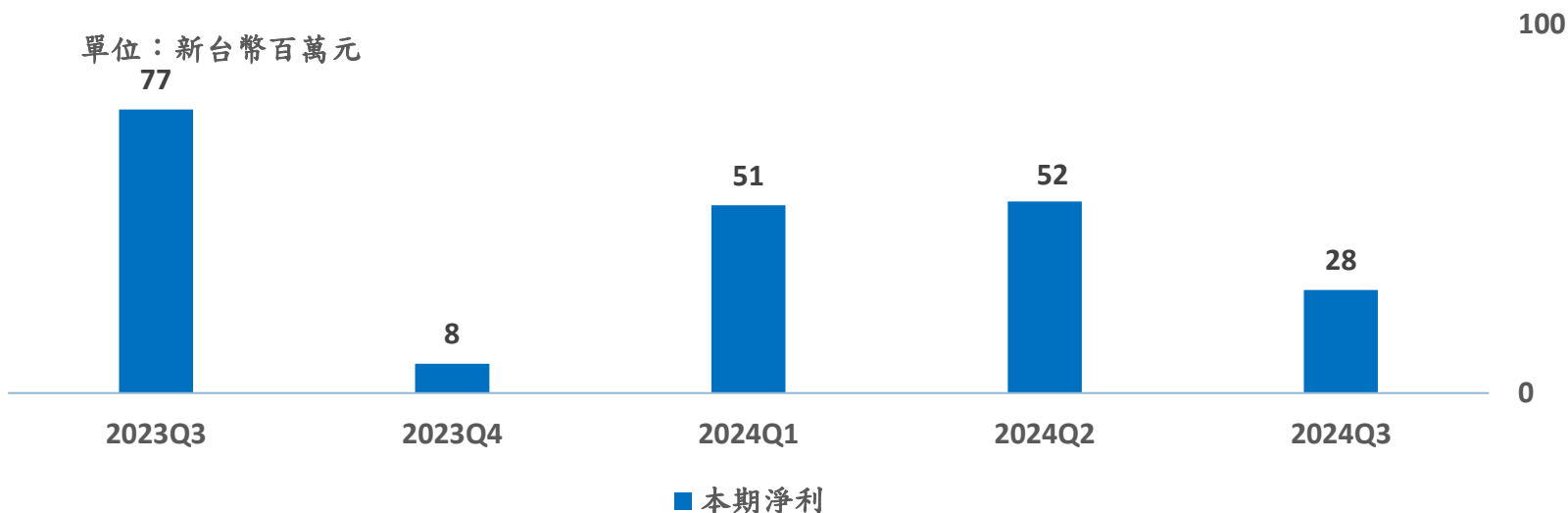
單位：新台幣仟元	2024年 Q1-Q3	%	2024年 H1	%	2023年 Q1-Q3	%	年成長%
銷貨淨額	\$ 1,333,450	100%	\$ 886,689	100%	\$ 1,523,443	100%	(12%)
銷貨成本	<u>690,176</u>	52%	<u>467,057</u>	53%	<u>817,028</u>	54%	(16%)
銷貨毛利	643,274	48%	419,632	47%	706,415	46%	(9%)
營業費用	<u>601,151</u>	45%	<u>402,109</u>	45%	<u>576,746</u>	38%	4%
營業淨利	42,123	3%	17,523	2%	129,669	8%	(68%)
非營業項目	<u>102,835</u>	8%	<u>94,078</u>	11%	<u>75,829</u>	5%	36%
稅前淨利	144,958	11%	111,601	13%	205,498	13%	(29%)
所得稅費用	<u>(13,757)</u>	(1%)	<u>(8,296)</u>	(1%)	<u>(33,711)</u>	(2%)	(59%)
本期淨利	<u>\$ 131,201</u>	10%	<u>\$ 103,305</u>	12%	<u>\$ 171,787</u>	11%	(24%)
每股盈餘(元)	<u>\$ 1.91</u>		<u>\$ 1.49</u>		<u>\$ 2.49</u>		(23%)

近五季營運實績-營收及毛利率

單位：新台幣百萬元



近五季營運實績—淨利及每股盈餘



市場概況及新品簡介

USB4 Host 平台生態現況

Intel

Tiger Lake ~ Sept 2020

- ❖ 11th Gen Intel Core

Alder Lake ~ Oct 2021

- ❖ 12th Gen Intel Core

Raptor Lake ~ Jan 2023

- ❖ 13th/14th Gen Intel Core

Meteor Lake ~ Dec 2023

- ❖ Core Ultra 1

Lunar Lake ~ Sep 2024

- ❖ Core Ultra 2

Arrow Lake ~ Oct 2024

- ❖ Core Ultra 2

AMD

Ryzen 6000 Series Mobile ~ Feb 2022

- ❖ “Rembrandt”

Ryzen 7000 Series Mobile ~ May 2023

- ❖ “Phoenix”

Ryzen 8000 Series Mobile ~ Dec 2023

- ❖ “Hawk Point”

Ryzen AI 300 series ~ July 2024

- ❖ “Strix Point”

Apple

M1 Family

- ❖ M1 ~ Nov 2020
 - ❖ MacBook Air
 - ❖ Mac Mini
 - ❖ MacBook Pro 13-Inch
 - ❖ iMac
 - ❖ iPad Pro
- ❖ M1 Pro ~ Oct 2021
 - ❖ MacBook Pro (14-Inch/16-Inch)
- ❖ M1 Max ~ Oct 2021
 - ❖ MacBook Pro (14-Inch/16-Inch)
 - ❖ Mac Studio
- ❖ M1 Ultra ~ Mar 2022
 - ❖ Mac Studio

M2 Family

- ❖ M2 ~ June 2022
 - ❖ MacBook Air
 - ❖ MacBook Pro 13-Inch
 - ❖ iPad Pro
 - ❖ Mac Mini

- ❖ M2 Pro ~ Jan 2023
 - ❖ MacBook Pro (14-Inch/16-Inch)
 - ❖ Mac Mini
- ❖ M2 Max ~ Jan 2021
 - ❖ MacBook Pro (14-Inch/16-Inch)

M3 Family

- ❖ iMac
- ❖ M3 ~ Oct 2023
 - ❖ MacBook Air
 - ❖ MacBook Pro 14-Inch
- ❖ M3 Pro ~ Oct 2023
 - ❖ MacBook Pro (14-Inch/16-Inch)
- ❖ M3 Max ~ Oct 2023
 - ❖ MacBook Pro (14-Inch/16-Inch)

M4 Family

- ❖ M4 ~ May 2024
 - ❖ iPad Pro (11-Inch/13-Inch)

Qualcomm

Snapdragon X Elite ~ Announced Oct 2023

Snapdragon X Plus ~ Sep 2024

VLI 作為高通合作夥伴 (Qualcomm advantage network)

Qualcomm
advantage network

News Member Directory Connect

< Back



VIA Labs, Inc.

[Send Message \(mailto:orders@via-labs.com\)](mailto:orders@via-labs.com)

Edit Member Listing

Company Info Products (1)



VL600

Other (Video Converter / PODN Controller)
Qualcomm® technology: XIE78100

VIA Lab's VL600 is a single chip USB-C DP Alt-mode to HDMI 2.0b protocol converter targeted for USB-C video dongles and USB-C multi-function docks. Integrated USB-C UFP CC1 pin and USB Billboard device, a single VL600 can convert DP signals to 4K@60Hz HDMI output on an USB-C plug-to-HDMI dongle. Accompanied with VLI's diversified USB PD and Hub controllers, VL600 creates USB-C multi-function dock applications with features like USB PD charge through and secure FW update at USB 40Gbps or USB 10Gbps / USB 5Gbps speed.

The DP receiver supports data rates up to 4-Lane HBR3 at 8.1Gbps, and the HDMI source supports up to 6Gbps TMDS transmit mode. VL600 has a built-in HDCP 1.4 and HDCP 2.3 repeater with embedded keys. Audio output format support includes up to 8 channel LPCM and various compressed audio formats. DP DSC compressed stream can be decoded by VL600 and converted to HDMI sink.

• Self-Verified

Company Information

HEADQUARTERS

7F, 529-1, Zhongzheng
Road, Xindian District
New Taipei City, 231
Taiwan R.O.C.

PHONE

886222181838
(tel:886222181838)

EMAIL

orders@via-labs.com
(mailto:orders@via-labs.com)

WEBSITE

https://via-labs.com
(https://via-labs.com)



VIA Labs, Inc.

[Send Message](#)

Company Info Products (1)

VIA Labs, Inc. (VLI) is a leading supplier of USB4, SuperSpeed USB, USB Power Delivery Controllers, and DisplayPort products. VLI leverages its expertise in analog circuit design, high-speed serial interfaces, and systems integration to create a rich product portfolio that includes USB Host, Hub, and Device controllers in addition to USB PD and charging controllers. VIA Labs, Inc. has demonstrated technology and industry leadership through Standards Development and bringing newly developed USB Technologies to market.

SPECIALIZATIONS

Connectivity
Consumer Electronics
Hardware Services
Video
Gaming
Audio
Internet of Things

INDUSTRIES

Manufacturing

MEMBERSHIP PROGRAMS

Snapdragon Compute Ecosystem
Program

COMPANY TYPE

Design Center
Hardware Provider

VLI 作為認證的 Google QPOP

Qualified Peripheral ODM/IC Partner (QPOP)

ChromeOS Plan Help

Plan Peripherals

Filter

Peripherals
Overview
QPOP Program
QPOP Overview and Guidelines
QPOP Partners
Published Specifications
Tools

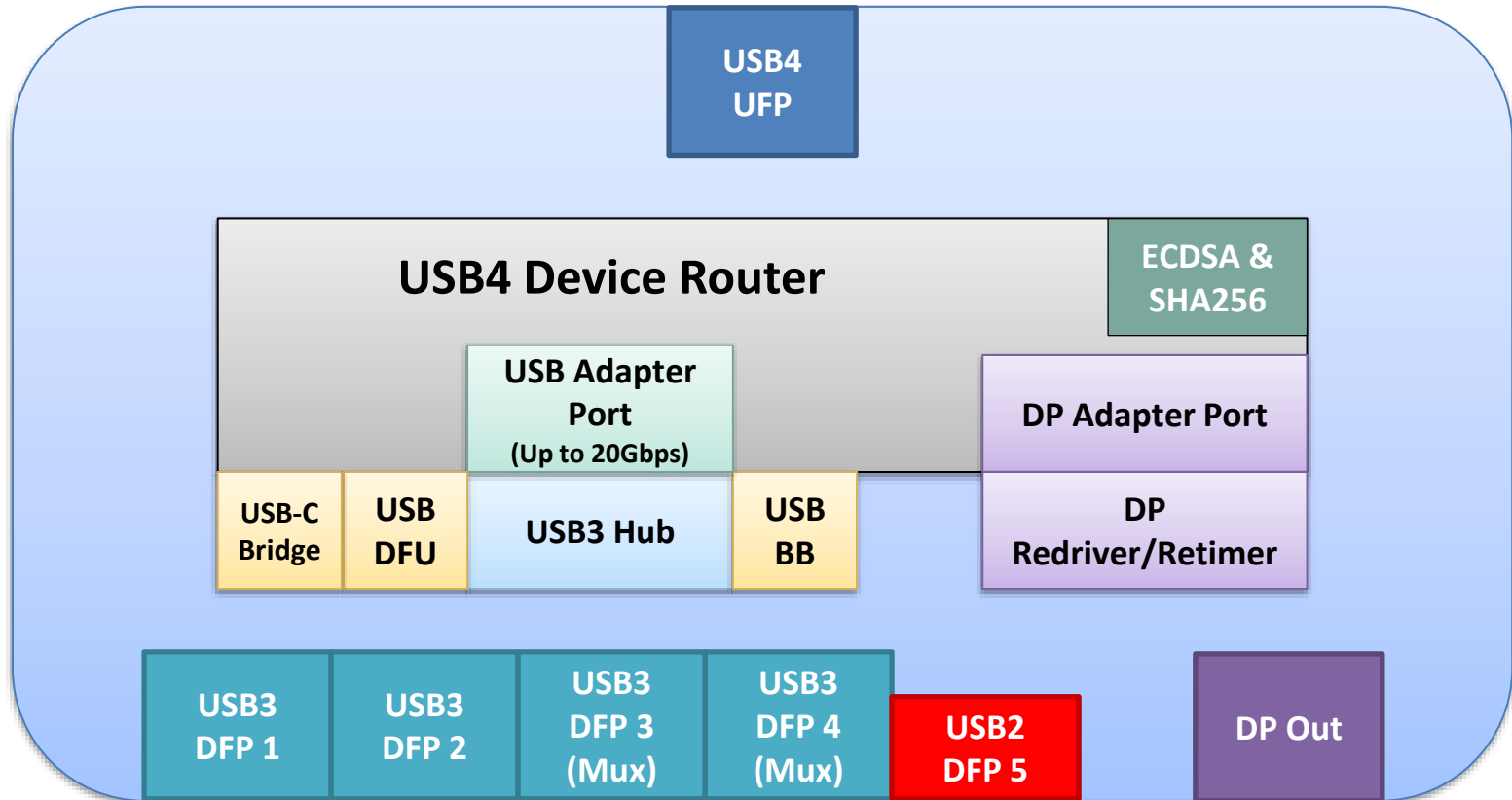
Certified QPOP Models & Platforms

Version: 1.1
Last updated: 2024-10-02

The following models and platforms have been qualified through QPOP.

Category	Partner	Partner Type	Model	ChromeOS Compatible	WWCB Certified	fwupd Enabled	FastPair Certified (BT Audio & BT HID only)
Dock	Via Labs	SoC	VL822 VL105	Yes	Yes	Yes	NA
Dock	Via Labs	SoC	VL813	Yes	No	No	NA

VL830/VL832 USB4 Endpoint Device



VL832 is USB4 Certified

VLI 客戶量產新品

VL181 Inside



Sony Play Station 5 Pro

VLI Hub / PD Solutions Inside



Cable Matters 7-in-1 USB4 Hub
【Designed for Microsoft Surface】



ASUS Gaming Monitor
ROG Strix XG259QNS-W



MSI Gaming Monitor
MPG 341CQPX



PHILIPS Gaming monitor
27M2N3200A

USB 2.0 480Mbps Hub Controllers

USB 2.0 480Mbps



VL122-Q2

VL122 (4-Port/ 2-Port)
Single Transaction Translator (STT)
Integrated 5V to 3.3V regulator
Management the configuration through EEPROM
Low Power Design



L122

QFN28 5x5mm (4-port)
QFN24 4x4mm (2-port)

Mass Production

VL122 USB 2.0 480Mbps Hub

Key Features:

- **Product Consolidation:**
 - 4-Port/2-port package are P2P with 850G
 - Integrated 5V to 3.3V Linear Regulator
 - EEPROM programming over USB
- **Optimized Design for Improved Functionality, Small size, and Performance**
 - Modernized Hub Core meets USB 2.0 and Compliance Testing Updates to date
 - Industry-Leading Low-Power Consumption during USB Suspend
- **Management the configuration through EEPROM for customized VID/PID, port configuration, etc.**
- **Earned USB 2.0 USB-IF certification TID# 10038**

Packages:

- **QFN28 5x5mm: 4-Port Configuration**
- **QFN24 4x4mm: 2-Port Configuration**

Phone Gaming 有持續成長之趨勢



Phones/Handhelds for 3A Gaming

- **High-end Phones with Ray Tracing Support**

- Apple iPhone 15 and iPhone 16 (A17/A16)
- Samsung Galaxy S23 (Qualcomm Snapdragon 8 Gen 2)
- iQOO 11 5G (VIVO/Qualcomm Snapdragon 8 Gen 2)
- OnePlus 11 5G (Qualcomm Snapdragon 8 Gen 2)
- Xiaomi 13 (Qualcomm Snapdragon 8 Gen 2)
- VIVO X100 Pro 5G (MTK Dimensity 9300)
- ASUS ROG Phones 8 (Qualcomm Snapdragon 8 Gen 3)



- **Gaming handheld**

- ASUS ROG Ally
- MSI CLAW
- Valve Steam Deck
- ACER Nitro Blaze 7



Ally



Claw



Steam Deck



Nitro

Gaming Docking Stations



VL60x USB-C SST PCON

HDMI 2.0b



VL600

VL600

DP1.4 to HDMI2.0 PCON

DP1.4 HBR3/8.1Gb 4-Ln RX

HDMI2.0b TMDS TX

HDCP 2.3 & 1.4 Repeater w/i Keys

DSC1.2 & 1.1

USB-C DP Alt-mode w/i USB BB

DP 2-Ln @ 4K60

Static HDR

Share SPI flash w/i VLI PD or Hub

QFN60 7x7mm

MP Now

HDMI 2.1



VL605

VL605

DP2.1 HBR3 to HDMI2.1 PCON

DP2.1 HBR3/8.1G 4-Ln RX

HDMI2.1 FRL 12Gb & TMDS TX

HDCP 2.3 & 1.4 Repeater w/i Keys

DSC1.2a & 1.1

USB-C USB4/DP Alt-mode + Charge-Thru

8K60 & 4K240

Dynamic HDR/VRR

Secure FW Update

DP 2.1 Source-controlled Mode

QFN68 8x8mm

MP Now

DP2.1 Source-controlled Mode

- HDMI2.1 capable PCON asks Autonomous mode and Source-controlled mode on HDMI FRL Link establishment
- Autonomous mode
 - Legacy mode of PCON in the market
 - PCON run FRL link training when connected HDMI Sink device is FRL-capable and is ready to handle FRL link training
- Source-controlled mode
 - PCON follows DP Source instructions
 - PCON shall enable HDMI link signal transmission, either TMDS or FRL, only when a DP Source device sets the HDMI_LINK_ENABLE bit
- VL605 supports these two modes; validated with top-tier US company

VL605 Supports VRR

- DP adaptive sync/AMD Freesync to HDMI VRR
- VLI OUI will be added into AMD driver in Q4/24'



VL605 VRR Disabled



VL605 VRR Enabled

股票代號 6756



更多公司資訊請至官網：

威鋒電子股份有限公司



Vision
Leadership
Intelligence

感謝聆聽

Q&A